


# FITTINGS PLASTIC

## PUSH-IN FITTINGS (16 BAR RATED)

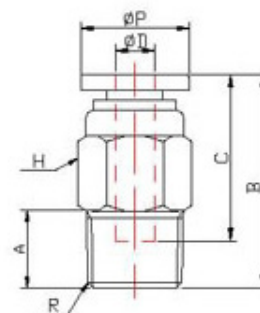
 Working Temperature:  
-0°C to +60°C

 Maximum Working Pressure:  
16 bar (220 psi)

Media: Air & vacuum only. Negative Pressure: -750mm Hg (10Torr)

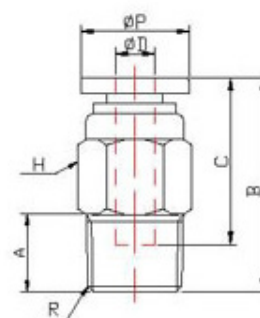
### Male Thread, Metric & BSPT

PART NO	D	R	P	A	B	C	H
2175-0849	4	M5	10	4	21.5	16	10
2175-0850	4	M6	10	5	22.5	16	10
2175-0851	4	R1/8	10	7.5	21	16	10
2175-0852	4	R1/4	10	9	20	16	14
2175-0853	4	R3/8	10	11	22	16	17
2175-0854	6	M5	12.8	4	24	17	12
2175-0855	6	M6	12.8	5	25	17	12
2175-0856	6	R1/8	12.8	7.5	22	17	12
2175-0857	6	R1/4	12.8	9	21	17	14
2175-0858	6	R3/8	12.8	11	23	17	17
2175-0859	8	R1/8	13.8	7.5	27	18	14
2175-0860	8	R1/4	13.8	9	24	18	14
2175-0861	8	R3/8	13.8	11	24	18	17
2175-0862	8	R1/2	13.8	13	26	18	21
2175-0863	10	R1/8	16.8	7.5	28	19.3	17
2175-0864	10	R1/4	16.8	9	29	19.3	17
2175-0865	10	R3/8	16.8	11	27	19.3	17
2175-0866	10	R1/2	16.8	13	27	19.3	21
2175-0867	12	R1/8	19.8	7.5	31	21	19
2175-0868	12	R1/4	19.8	9	33	21	19
2175-0869	12	R3/8	19.8	11	29.5	21	19
2175-0870	12	R1/2	19.8	13	27.5	21	21
2207-0684	16	R3/8	21.8	11	33	22	22
2207-0685	16	R1/2	21.8	13	31	22	22
2207-0686	16	R3/8	23.8	11	35	23	24
2207-0687	16	R1/2	23	13	33	23	24



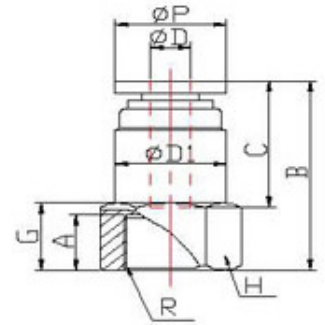
### Male Thread, BSPT

PART NO	D	R	P	A	B	C	H1	H2
2175-0871	4	G1/8	10	5.5	20.5	16	12	2.5
2175-0872	4	G1/4	10	19	19	16	14	2.5
2175-0873	6	G1/8	12.8	20.5	20.5	17	14	4
2175-0874	6	G1/4	12.8	20.5	20.5	17	14	4
2175-0875	6	G3/8	12.8	20.5	20.5	17	17	4
2175-0876	8	G1/8	13.8	26.5	26.5	18	14	4
2175-0877	8	G1/4	13.8	23	23	18	14	6
2175-0878	8	G3/8	13.8	21.5	21.5	18	17	6
2175-0879	8	G1/2	13.8	23	23	18	19	6
2175-0880	10	G1/8	16.8	27.3	27.3	19.3	17	4
2175-0881	10	G1/4	16.8	27.3	27.3	19.3	17	6
2175-0882	10	G3/8	16.8	25.3	25.3	19.3	19	8
2175-0883	10	G1/2	16.8	29.8	25.8	19.3	19	8
2175-0884	12	G1/4	19.8	30.5	30.5	21	19	6
2175-0885	12	G3/8	19.8	26.5	26.5	21	19	8
2175-0886	12	G1/2	19.8	28	28	21	21	8
2207-0688	14	G3/8	21.8	33	33	21	22	8
2207-0689	14	G1/2	21.8	28.3	28.3	21	24	12
2207-0690	16	G3/8	23.8	33.8	33.8	23	24	8
2207-0691	16	G1/2	23.8	33.5	33.5	23	24	12



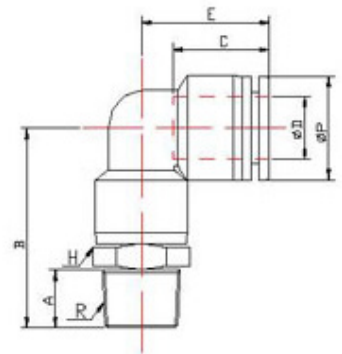
# Female Thread, BSPP

PART NO	D	D1	R	P	A	B	C	G	H
2175-0887	4	11	G1/8	10	7	24.5	16	9	12
2175-0888	4	11	G1/4	10	7.5	26	16	9.5	17
2175-0889	6	13	G1/8	12.8	7	27	17	9	14
2172-0890	6	13	G1/4	12.8	7	26.5	17	9.5	17
2175-0891	6	13	G3/8	12.8	8	28	17	10	19
2175-0892	8	15	G1/8	13.8	7	28.5	18	9	17
2175-0893	8	15	G1/4	13.8	7.5	27	18	9.5	17
2175-0894	8	15	G3/8	13.8	8	28	18	10	19
2175-0895	8	15	G1/2	13.8	10	31	18	12	24
2175-0896	10	18	G1/8	16.8	7	30	19.3	9	19
2175-0897	10	18	G1/4	16.8	7.5	29	19.3	9.5	19
2175-0898	10	18	G3/8	16.8	8	30	19.3	10	19
2175-0899	10	18	G1/2	16.8	10	32	19.3	12	24
2175-0900	12	20	G1/4	19.8	7.5	31.5	21	9.5	21
2175-0901	12	20	G3/8	19.8	8	31.5	21	10	21
2172-0902	12	20	G1/2	19.8	10	32.5	21	12	24
2207-0692	14	22	G3/8	21.8	9	31.5	21	10	22
2207-0693	14	23	G1/2	21.8	10	32.5	21	12	24
2207-0694	16	24	G3/8	23.9	9	34	23	10	24
2207-0695	16	24	G1/2	23.9	10	35	23	12	24



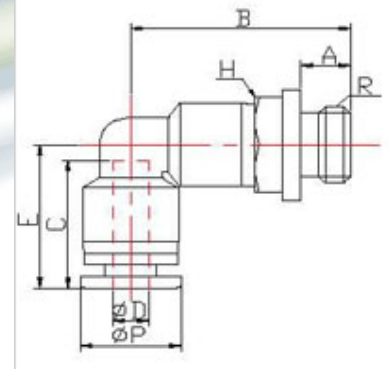
# Male Thread, Metric & BSPT

PART NO	D	R	P	A	B	C	E	H
2175-0903	4	M5	10	4	25	15.5	17.5	10
2175-0904	4	M6	10	5	26	15.5	17.5	10
2175-0905	4	R1/8	10	7.5	25	15.5	17.5	10
2175-0906	4	R1/4	10	9	26.5	15.5	17.5	14
2175-0907	4	M5	12.8	4	27.5	15.6	20.5	12
2175-0908	6	M6	12.8	5	28.5	15.6	20.5	12
2175-0909	6	R1/8	12.8	7.5	27.5	15.6	20.5	12
2175-0910	6	R1/4	12.8	9	29	15.6	20.5	14
2175-0911	6	R3/8	12.8	11	31.5	15.6	20.5	17
2175-0912	6	R1/2	12.8	13	34	15.6	20.5	21
2175-0913	8	R1/8	13.8	7.5	29.5	18	22.5	14
2175-0914	8	R1/4	13.8	9	31	18	22.5	14
2175-0915	8	R3/8	13.8	11	33.5	18	22.5	17
2175-0916	8	R1/2	13.8	13	36	18	22.5	21
2175-0917	10	R1/8	16.8	7.5	33.2	19.3	26.3	17
2175-0918	10	R1/4	16.8	9	34.7	19.3	26.3	17
2175-0919	10	R3/8	16.8	11	36.7	19.3	26.3	17
2175-0920	12	R1/2	16.8	13	39.2	19.3	26.3	21
2175-0921	12	R1/4	19.8	9	35.5	21	27.8	19
2175-0922	12	R3/8	19.8	11	38	21	27.8	19
2175-0923	12	R1/2	19.8	13	40	21	27.8	21
2207-0696	14	R3/8	21.8	11	39.5	22.5	30.3	22
2207-0697	14	R1/2	21.8	13	41.5	22.5	30.3	22
2207-0698	16	R3/8	23.8	11	41.5	21	30.8	24
2207-0687	16	R1/2	23.8	13	43.5	21	30.8	24



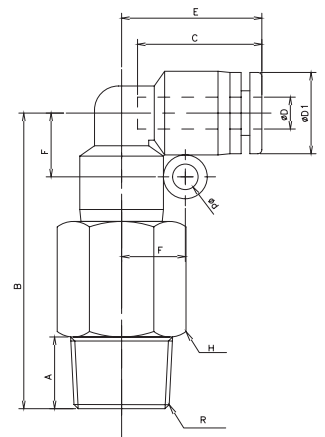
# Male Thread, BSPP

PAGE NO	D	R	P	A	B	C	E	H
2175-0924	4	G1/8	10	5.5	25.1	15.5	17.5	12
2175-0925	4	G1/4	10	6	25.7	15.5	17.5	14
2175-0926	6	G1/8	12.8	5.5	27	15.6	17.5	12
2175-0927	6	G1/4	12.8	6	27.5	15.6	20.5	14
2175-0928	6	G3/8	12.8	6.5	29	15.6	20.5	14
2175-0929	8	G1/8	13.8	5.5	29.2	18	22.5	14
2175-0930	8	G1/4	13.8	6	29.2	18	22.5	14
2175-0931	8	G3/8	13.8	6.5	30.7	18	22.5	17
2175-0922	8	G1/2	13.8	8	31.7	18	22.5	21
2175-0933	10	G1/8	16.8	5.5	33.7	19.3	26.3	17
2175-0934	10	G1/4	16.8	6	34.2	19.3	26.3	17
2175-0935	10	G3/8	16.8	6.5	34.2	19.3	26.3	19
2175-0936	10	G1/2	16.8	8	35.2	19.3	26.3	21
2175-0937	12	G1/4	19.8	6	35	21	27.8	19
2175-0938	12	G3/8	19.8	5.5	36	21	27.8	17
2175-0939	12	G1/2	19.8	8	37.5	21	27.8	21
2207-0700	14	G3/8	21.8	6.5	39.5	22.5	30.3	22
2207-0701	14	G1/2	21.9	8	40.5	22.5	30.3	24
2207-0702	16	G3/8	23.8	6.5	43	23.5	30.8	24
2207-0703	16	G1/2	23.8	8	41	23.5	30.8	24



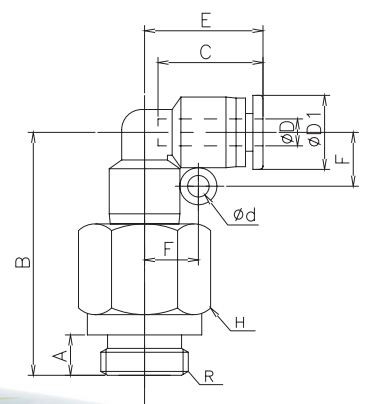
# Extended Male Thread, Metric & BSPT

PART NO	D	D1	R	A	B	C	E	F	H	d
2175-0940	4	10	M5	4	35.5	15.5	17.5	8	10	3.2
2175-0941	4	10	R1/8	7.5	35.5	15.5	17.5	8	10	3.2
2175-0942	4	10	R1/4	9	37	15.5	17.5	8	14	3.2
2175-0943	6	12.8	M5	4	40.5	15.6	20.5	9.5	12	3.2
2175-0944	6	12.8	R1/8	7.5	40.5	15.6	20.5	9.5	12	3.2
2175-0945	6	12.8	R1/4	9	43.5	15.6	20.5	9.5	14	3.2
2175-0946	6	12.8	R3/8	11	46	15.6	20.5	9.5	17	3.2
2175-0947	8	13.8	R1/8	7.5	44	18	22.5	10.2	14	3.2
2175-0948	8	13.8	R1/4	9	45.5	18	22.5	10.2	14	3.2
2175-0949	8	13.8	R3/8	11	48	18	22.5	10.2	17	3.2
2175-0950	10	16.8	R1/8	7.5	51.2	19.3	26.3	13	17	3.2
2175-0951	10	16.8	R1/4	9	52.7	19.3	26.3	13	17	3.2
2175-0952	10	16.8	R3/8	11	54.7	19.3	26.3	13	17	3.2
2175-0953	10	16.8	R1/2	13	57.2	19.3	26.3	13	21	3.2
2175-0954	12	19.8	R1/4	9	55.5	21	27.8	13	19	3.2
2175-0955	12	19.8	R3/8	11	58	21	27.8	13	19	3.2
2175-0956	12	19.8	R1/2	13	60	21	27.8	13	21	3.2



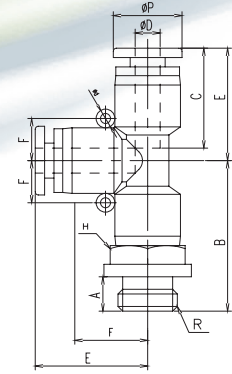
# Extended Male Thread, BSPP

PART NO	D	D1	R	A	B	C	E	F	H1	d
2175-0957	4	10	G1/8	5.5	34.5	15.5	17.5	8	14	3.2
2175-0958	4	10	G1/4	6	35	15.5	17.5	8	17	3.2
2175-0959	6	12.8	G1/8	5.5	40	15.6	20.5	9.5	14	3.2
2175-0960	6	12.8	G1/4	6	42	15.6	20.5	9.5	17	3.2
2175-0961	6	12.8	G3/8	6.5	43.5	15.6	20.5	9.5	21	3.2
2175-0962	8	13.8	G1/8	5.5	44	18	22.5	10.2	14	3.2
2175-0963	8	13.8	G1/4	6	44	18	22.5	10.2	14	3.2
2175-0964	10	16.8	G1/8	5.5	51.7	19.3	26.3	13	17	3.2
2175-0965	10	16.8	G1/4	6	52.2	19.3	26.3	13	17	3.2
2175-0966	10	16.8	G3/8	6.5	52.2	19.3	26.3	13	21	3.2
2175-0967	12	19.8	G3/8	6.5	54.5	21	27.8	13	21	3.2

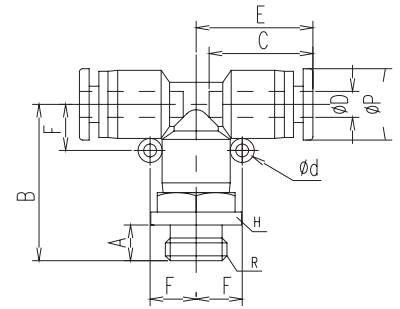


# Male Stud Swivel Tees

PART NO	D	R	P	A	B	C	E	F	H	d
2175-0968	4	G1/8	10.5	5.5	23.6	15.5	17.5	8	12	3.2
2175-0969	4	G1/4	10.5	6	24	15.5	17.5	8	14	3.2
2175-0970	6	G1/8	13	5.5	27	15.6	19.8	9.5	12	3.2
2175-0971	6	G1/4	13	6	27.5	15.6	19.8	9.5	14	3.2
2175-0972	8	G1/8	14.5	5.5	29.5	18	23	10.2	14	3.2
2175-0973	10	G1/8	18	5.5	33.7	19.3	26.3	12	17	3.2

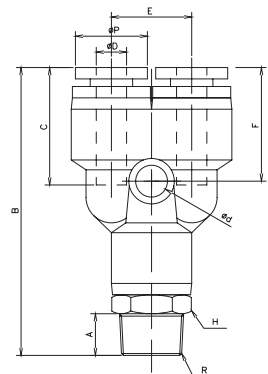


PART NO	D	R	P	A	B	C	E	F	H	d
2175-0974	4	G1/8	10.5	5.5	23.6	15.5	17.5	8	12	3.2
2175-0975	4	G1/4	10.5	6	24	15.5	17.5	8	14	3.2
2175-0976	6	G1/8	13	5.5	27	15.6	19.8	9.5	12	3.2
2175-0977	6	G1/4	13	6	27.5	15.6	19.8	9.5	14	3.2
2175-0978	6	G3/8	13	6.5	29	15.6	19.8	9.5	17	3.2
2175-0979	8	G1/8	14.5	5.5	29.5	18	23	10.2	14	3.2
2175-0980	8	G1/4	14.5	6	29.5	18	23	10.2	14	3.2
2175-0981	8	G3/8	14.5	6.5	31	18	23	10.2	17	3.2
2175-0982	8	G1/2	14.5	8	32	18	23	10.2	21	3.2
2175-0983	10	G1/8	18	5.5	33.7	19.3	26.3	12	17	3.2
2175-0984	10	G1/4	18	6	34.2	19.3	26.3	12	17	3.2
2175-0985	10	G3/8	18	6.5	34.2	19.3	26.3	12	17	3.2
2175-0986	12	G1/4	20	6	35	21	27.5	13	19	3.2
2175-0987	12	G3/8	20	6.5	34.5	21	27.5	13	19	3.2
2175-0988	12	G1/2	20	8	35.5	21	27.5	13	21	3.2



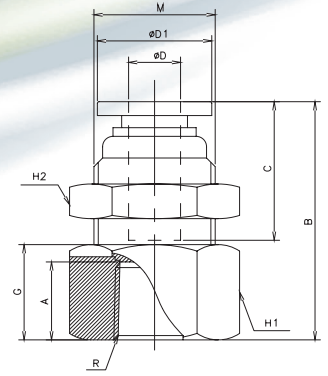
# Male Stud Swivel Ys

PART NO	D	R	P	A	B	C	E	F	H	d
2175-0989	4	M5	10	4	41.5	15.5	10.5	15	10	3.2
2175-0990	4	R1/8	10	7.5	41	15.5	10.5	15	10	3.2
2175-0991	6	M5	12.8	4	43.5	15.6	13	15.5	12	3.2
2175-0992	6	R1/8	12.8	7.5	44	15.6	13	15.5	12	3.2
2175-0993	6	R1/4	12.8	9	45.5	15.6	13	15.5	14	3.2
2175-0994	6	R3/8	12.8	11	48	15.6	13	15.5	17	3.2
2175-0995	8	R1/8	13.8	7.5	45.5	18	14.5	15.8	14	3.2
2175-0996	8	R1/4	13.8	9	47	18	14.5	15.8	14	3.2
2175-0997	8	R3/8	13.8	11	48.3	18	14.5	15.8	17	3.2
2175-0998	8	R1/2	13.8	13	50.8	18	14.5	15.8	21	3.2
2175-0999	10	R1/8	16.8	7.5	56.1	19.3	18	20.6	17	4
2175-1000	10	R1/4	16.8	9	57.6	19.3	18	20.6	17	4
2175-1001	10	R3/8	16.8	11	59	19.3	18	20.6	17	4
2175-1002	10	R1/2	16.8	13	61	19.3	18	20.6	21	4
2175-1003	12	R1/4	19.8	9	60.8	21	20	21.3	19	4
2175-1004	12	R3/8	19.8	11	63.3	21	20	21.3	19	4
2175-1005	12	R1/2	19.8	13	65	21	20	21.3	21	4



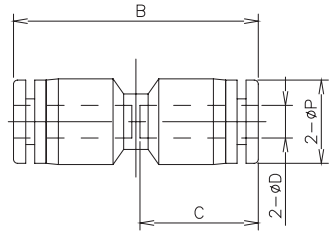
# Female Bulkhead Connectors

PART NO	D	D1	R	A	B	C	G	H1	H2	M
2175-1006	4	10	G1/8	7	24.5	16	9	14	14	M12X1
2175-1007	4	10	G1/4	7.5	26	16	9	17	17	M12X1
2175-1008	6	12.8	G1/8	7	27	17	8.5	17	17	M14X1
2175-1009	6	12.8	G1/4	7.5	28	17	9.5	17	17	M14X1
2175-1010	6	12.8	G3/8	8	29.5	17	10	19	19	M14X1
2175-1011	6	12.8	G1/2	10	31	17	12	24	24	M14X1
2175-1012	8	13.8	G1/8	7	26.5	18	9	17	17	M16X1
2175-1013	8	13.8	G1/4	7.5	28	18	9.5	17	17	M16X1
2175-1014	8	13.8	G3/8	8	29	18	10	19	19	M16X1
2175-1015	8	13.8	G1/2	10	31.5	18	12	24	24	M16X1
2175-1016	10	16.8	G1/8	7	29.5	19.3	8.5	21	21	M20X1
2175-1017	10	16.8	G1/4	7.5	29.5	19.3	9.5	21	21	M20X1
2175-1018	10	16.8	G3/8	8	31.5	19.3	10	21	21	M20X1
2175-1019	10	16.8	G1/2	10	31.5	19.3	12	24	24	M20X1
2175-1020	12	19.8	G1/4	7.5	32	21	9.5	24	24	M22X1
2175-1021	12	19.8	G3/8	8	33	21	10	24	24	M22X1
2175-1022	12	19.8	G1/2	10	33	21	12	24	24	M22X1

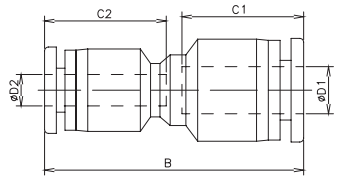


# Tube x Tube Conenctors

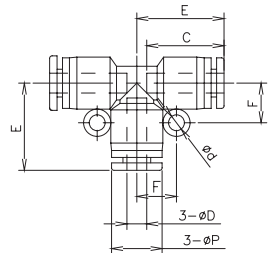
PART NO	D	P	B	C
2175-1023	4	11	31.3	14.5
2175-1024	6	13.2	34.2	15.6
2175-1025	8	14.8	39.5	18
2175-1026	10	18.3	41.9	19.3
2175-1027	12	20.4	46.2	21
2175-1028	14	23.8	48.7	21
2175-1029	16	23.8	49.8	21



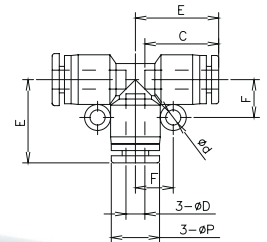
PART NO	D	D1	B	C1	C2
2175-1028	6	4	33.1	16	15.5
2175-1029	8	6	38.3	18	15.6
2175-1030	10	8	41.1	19.3	18
2175-1031	12	10	45.3	21	19.3



PART NO	D	P	C	E	F	d
2175-1032	4	10.3	15.5	17.5	8	3.2
2175-1033	6	12.8	15.6	20.5	9.5	3.2
2175-1034	8	13.8	18	22.8	10.2	3.2
2175-1035	10	17.2	19.3	26.3	13	3.2
2175-1036	12	19.8	21	27.8	13	3.2
2207-0706	14	21.8	22.5	29.8	15.2	4
2207-0707	16	23.8	21	30.8	15.8	3.2

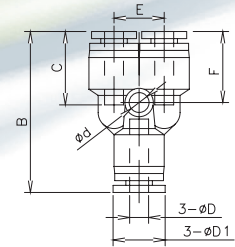


PART NO	D	P	C	E	F	d
2175-1037	4	10.3	15.5	17.5	8	3.2
2175-1038	6	12.6	15.6	20	9.5	3.2
2175-1039	8	13.8	18	23	10.2	3.2
2175-1040	10	17.2	19.3	26.1	13	3.2
2175-1041	12	19.8	21	26.9	13	3.2
2207-0708	14	21.8	22.5	31	15.2	4
2207-0709	16	23.8	21	32	15.8	4

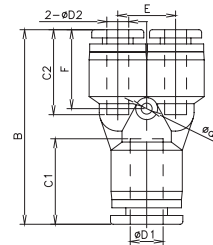


# Tube x Tube Connectors

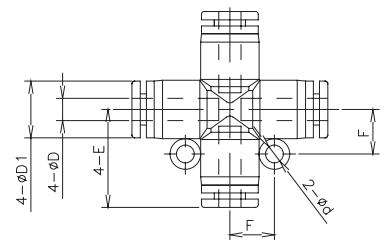
PART NO	D	D1	E	C	F	d	B
2175-1042	4	10	10.5	15.5	15	2.8	34
2175-1043	6	12.8	13	15.6	15.5	2.8	36.7
2175-1044	8	13.8	14.5	18	15.8	3.2	36.5
2175-1045	10	16.8	18	19.3	20.6	4	39.1
2175-1046	12	19.8	20	21	21.3	4	48.1
2207-0710	14	21.8	54.6	22.5	23.3	4	53.1
2207-0711	16	23.8	56.6	21	24.5	21	54.6



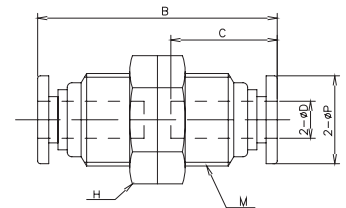
PART NO	D	D1	E	C	F	d
2175-1047	4	10	10.5	15.5	15	2.8
2175-1048	6	12.8	13	15.6	15.5	2.8
2175-1049	8	13.8	14.5	18	15.8	3.2
2175-1050	10	16.8	18	19.3	20.6	4



PART NO	D	D1	E	C	F	d
2175-1051	4	10	17.7	15.5	8	2.2
2175-1052	6	12.8	20.5	15.6	9.5	2.8
2175-1053	8	13.8	22.8	18	10.2	2.8
2175-1054	10	16.8	26.3	19.3	12	4
2175-1055	12	19.8	29.3	21	13	4

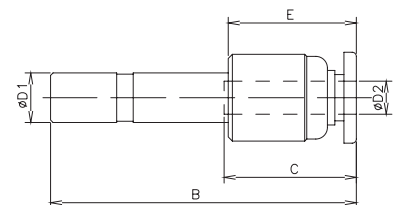


PART NO	D	P	B	C	H	M
2175-1056	4	10	33.5	16	14	12X1
2175-1057	6	12.8	35	17	17	14X1
2175-1058	8	13.8	40.5	18.5	19	16X1
2175-1059	10	16.8	40	19.3	24	20X1
2175-1060	12	19.8	44.5	21	26	22X1

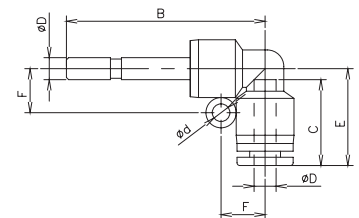


# Tube x Stem Connectors

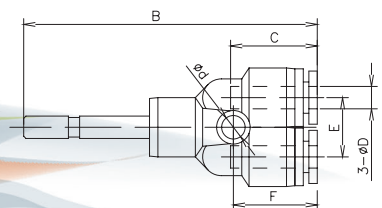
PART NO	D	D1	B	C	E
2175-1061	6	4	37	15.5	16
2175-1062	8	4	37	15.5	16
2175-1063	8	6	37.5	16	17
2175-1064	10	6	41	16	17
2175-1065	10	8	44	19	18
2175-1066	12	10	41.8	17.5	19.3



PART NO	D	B	C	E	F	d
2175-1067	4	31	15.5	17.5	8	3.2
2175-1068	6	38.5	15.6	20.5	9.5	3.2
2175-1069	8	40.5	18	22.5	10.2	3.2
2175-1070	10	46.5	19.3	26.3	13	3.2
2175-1071	12	48	21	27.8	13	3.2

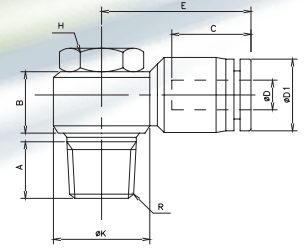


PART NO	D	B	C	E	F	d
2175-1072	6	55	15.6	13	15.5	2.8
2175-1073	8	55.3	18	14.5	15.8	3.2
2175-1074	10	70.1	19.3	18	20.6	4



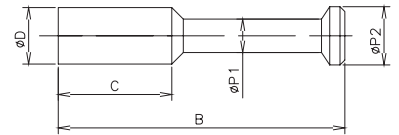
# Single Banjos

PART NO	D	D1	R	A	B	C	E	H	K
2175-1080	4	10	M5	4	9.2	15.5	19.7	8	10
2175-1081	4	10	M6	5	9.2	15.5	19.7	8	10
2175-1082	4	10	R1/8	7.5	12	15.5	21.8	10	14.5
2175-1083	6	12.8	M5	4	9.2	15.6	22.5	8	10
2175-1084	6	12.8	M6	5	9.2	15.6	22.5	8	10
2175-1085	6	12.8	R1/8	7.5	12	15.6	23	10	14.5
2175-1086	6	12.8	R1/4	9	12	15.6	25.5	14	18.2
2175-1087	6	12.8	R3/8	11	15.4	15.6	27.1	19	22
2175-1088	8	13.8	R1/8	7.5	12	18	24.6	10	14.5
2175-1089	8	13.8	R1/4	9	12	18	26.8	14	18.2
2175-1090	8	13.8	R3/8	11	15.4	18	28.8	19	22
2175-1091	10	16.8	R1/4	9	12	19.3	31	14	18.2
2175-1092	10	16.8	R3/8	11	15.4	19.3	31	19	22
2175-1093	10	16.8	R1/2	13	17.5	19.3	34	24	27.4
2175-1094	12	19.8	R1/4	9	12	21	31.8	14	18.2
2175-1095	12	19.8	R3/8	11	15.4	21	34	19	22
2175-1096	12	19.8	R1/2	13	17.5	21	35.8	24	27.4



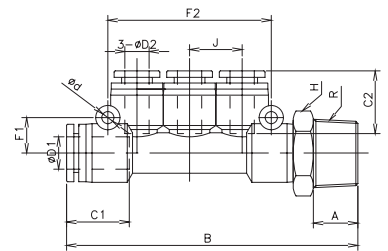
# Plugs

PART NO	D	P1	P2	B	C
2175-1075	4	2	5	30	15.5
2175-1076	6	3	7	34	18
2175-1077	8	4	9	37	18.5
2175-1078	10	5	11	39.5	20.5
2175-1079	12	6	13	44	23

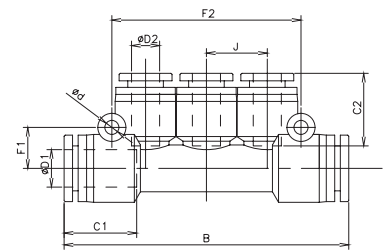


# Distribution Manifolds

PART NO	D1	D2	R	A	B	C1	C2	H	F1	F2	d	J
2175-1097	6	4	1/8	7.5	67.2	15.6	15.5	14	8.8	40.4	3	13
2175-1098	4	4	1/4	9	69	18	15.5	14	8.8	40.4	3	13
2175-1099	8	6	1/4	9	69.4	18	15.6	17	8.8	40.4	4	14.5
2175-1100	10	8	3/8	11	90.3	19.3	18	21	10	47	4	14.5

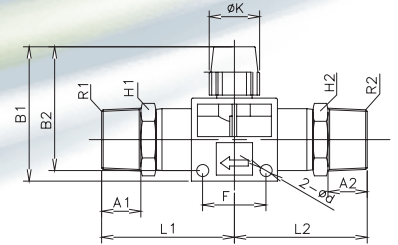


PART NO	D1	D2	B	C1	C2	J	F1	F2
2019-9063	6	4	60.2	15.6	15.5	13	8.8	40.4
2019-9071	8	4	60.8	18	15.5	13	8.8	40.4
2019-9089	8	6	60.8	18	15.6	13	8.8	40.4
2019-9097	10	6	81	20	15.6	14.5	10	47
2023-0637	10	8	81	20	18	14.5	10	47

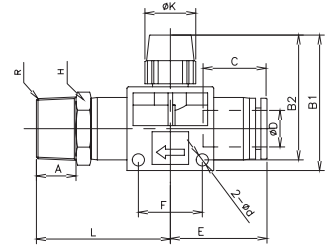


# Manual Shut-off Valves

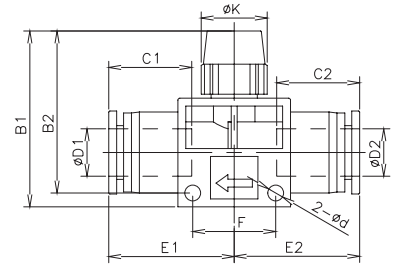
PART NO	R1	R2	H1	H2	A1	A2	L1	L2	K	d	B1	B2	F
2175-1106	NPT1/8	NPT1/8	9/16	9/16	8	8	33	33	16.7	4.2	40.3	36.8	16.5
2175-1107	NPT1/4	NPT1/8	9/16	9/16	11	8	36	33	16.7	4.2	40.3	36.8	16.5
2175-1108	NPT1/4	NPT1/4	9/16	9/16	11	11	36	36	16.7	4.2	40.3	36.8	16.5
2175-1109	NPT3/8	NPT1/4	11/16	11/16	12	11	43	41.5	16.7	4.2	44.5	41	21
2175-1110	NPT3/8	NPT3/8	11/16	11/16	12	12	43	43	16.7	4.2	44.5	41	21
2175-1111	NPT1/2	NPT3/8	7/8	11/16	15	12	46.5	43	16.7	4.2	44.5	41	21
2175-1112	NPT1/2	NPT1/2	7/8	7/8	15	15	46.5	46.5	16.7	4.2	44.5	41	21



PART NO	D	R	C	E	L	A	H	K	d	B1	B2	F
2175-1113	6	R1/8	15.6	25.5	32.5	7.5	14	16.7	4.2	40.3	36.8	16.5
2175-1114	6	R1/4	15.6	25.5	34	9	14	16.7	4.2	40.3	36.8	16.5
2175-1115	6	R3/8	15.6	25.5	35.5	11	17	16.7	4.2	40.3	36.8	16.5
2175-1116	8	R1/8	18	25.8	32.5	7.5	14	16.7	4.2	40.3	36.8	16.5
2175-1117	8	R1/4	18	25.8	34	9	14	16.7	4.2	40.3	36.8	16.5
2175-1118	8	R3/8	18	25.8	35.5	11	17	16.7	4.2	40.6	36.8	16.5
2175-1119	10	R1/4	19.3	31.1	39.5	9	19	16.7	4.2	44.5	41	21
2175-1120	10	R3/8	19.3	31.1	42	11	19	16.7	4.2	44.5	41	21
2175-1121	10	R1/2	19.3	31.1	44	13	21	16.7	4.2	44.5	41	21
2175-1122	12	R1/4	21	31.8	39.5	9	19	16.7	4.2	44.5	41	21
2175-1123	12	R3/8	21	31.8	42	11	19	16.7	4.2	44.5	41	21
2175-1124	12	R1/2	21	31.8	44	13	21	16.7	4.2	44.5	41	21



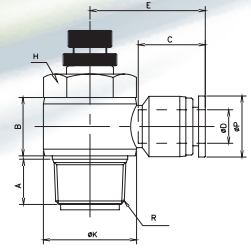
PART NO	D1	D2	C1	C2	E1	E2	K	d	B1	B2	F
2175-1125	4	4	15.5	15.5	25.1	25.1	16.7	4.2	40.3	36.8	16.5
2175-1126	6	4	15.6	15.5	25.5	25.1	16.7	4.2	40.3	36.8	16.5
2175-1127	6	6	15.6	15.6	25.5	25.5	16.7	4.2	40.3	36.8	16.5
2175-1128	8	6	18	15.6	25.8	25.5	16.7	4.2	40.3	36.8	16.5
2175-1129	8	8	18	18	25.8	25.8	16.7	4.2	40.3	36.8	16.5
2175-1130	10	10	19.3	19.3	31.1	31.1	16.7	4.2	44.5	41	21
2175-1131	12	10	21	19.3	31.8	31.1	16.7	4.2	44.5	41	21
2175-1132	12	12	21	21	31.8	31.8	16.7	4.2	44.5	41	21





# Speed Control Valves

PART NO	D	R	P	A	B	C	E	H	K
2175-1133	4	M5	10	4	9.2	15.5	19.7	8	10
2175-1134	4	R 1/8	10	7.5	12	15.5	21.8	10	14.5
2175-1135	4	R 1/4	10	9	12	15.5	24	14	18.2
2175-1136	6	M5	12.8	4	9.2	15.6	22.5	8	10
2175-1137	6	M6	12.8	5	9.2	15.6	22.5	8	10
2175-1138	6	R 1/8	12.8	7.5	12	15.6	23	10	14.5
2175-1139	6	R 1/4	12.8	9	12	15.6	25.5	14	18.2
2175-1140	6	R 3/8	12.8	11	15.4	15.6	27.1	19	22
2175-1141	8	R 1/8	13.8	7.5	12	18	24.6	10	14.5
2175-1142	8	R 1/4	13.8	9	12	18	26.8	14	18.2
2175-1143	8	R 3/8	13.8	11	15.4	18	28.8	19	22
2175-1144	8	R 1/2	13.8	13	17.5	18	30.5	24	27.4
2175-1145	10	R 1/4	16.8	9	12	19.3	31	14	18.2
2175-1146	10	R 3/8	16.8	11	15.4	19.3	31	19	22
2175-1147	10	R 1/2	16.8	13	17.5	19.3	34	24	27.4
2175-1148	12	R 1/4	19.8	9	12	21	31.8	14	18.2
2175-1149	12	R 3/8	19.8	11	15.4	21	34	19	22
2175-1150	12	R 1/2	19.8	13	17.5	21	35.8	24	27.4



PART NO	D	D1	B	C	d	F	J	S
2175-1151	4	10	48	15.5	4	8.7	19.4	10.5
2175-1152	6	12.8	49	15.6	4	7.9	19.4	11.1
2175-1153	8	13.8	55.1	18	4	9	21	12
2175-1154	10	16.8	63	20	4	10.1	25	12.2
2175-1155	12	19.8	75	21	4	12.8	31.3	15.6

